

**Autodesk®**

Design Review  
Manufacturing

Share it in Design Review.



Autodesk®

# Share Your Digital Prototype in Design Review

Facilitate Digital Prototyping workflows with Autodesk® Design Review, the free\*, all-digital way to review, mark up, measure, and track changes.

## New and Enhanced Features

### New Features

- DWFX Native Support
- Integrated Search
- “ShareNow” with Project Freewheel™
- Customizable User Interface

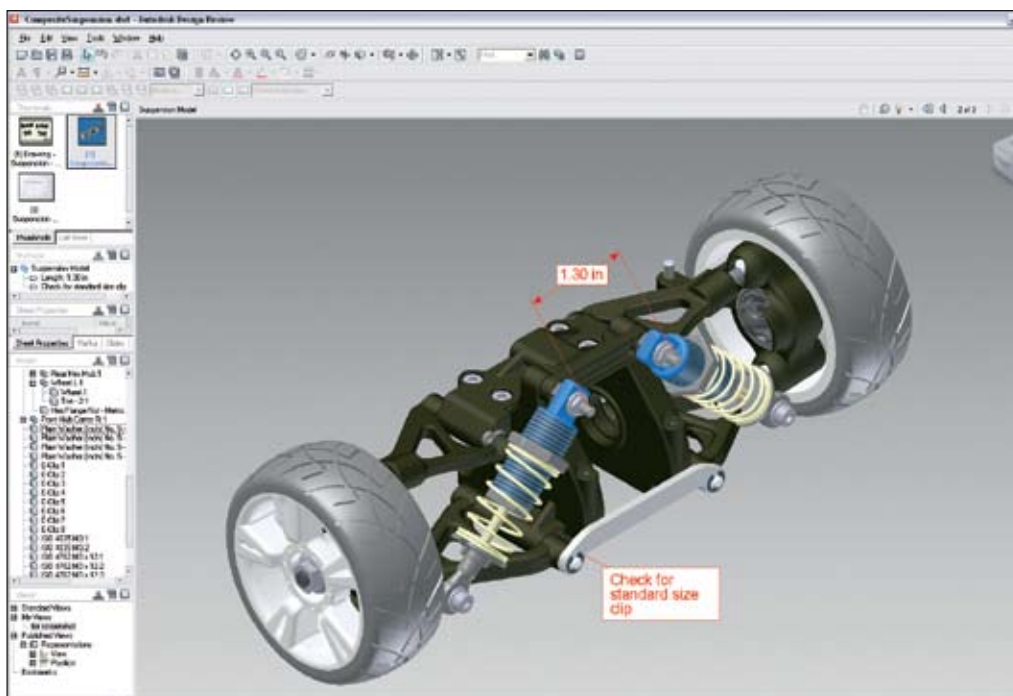
### Enhanced Features

- Navigation Tools
- Rotation Capabilities
- Batch Printing
- 2D and 3D Markup
- 3D Measurement Tools
- Save and Import All Markups (Now with DWFX)

Autodesk Design Review software improves team communication by putting design information into the hands of the people who need it. Tightly integrated with Autodesk® Inventor™ and AutoCAD®-based products, Design Review offers your team an intuitive solution for visualizing and reviewing digital prototypes, responding to comments, and helping to ensure revisions are timely and comprehensive.



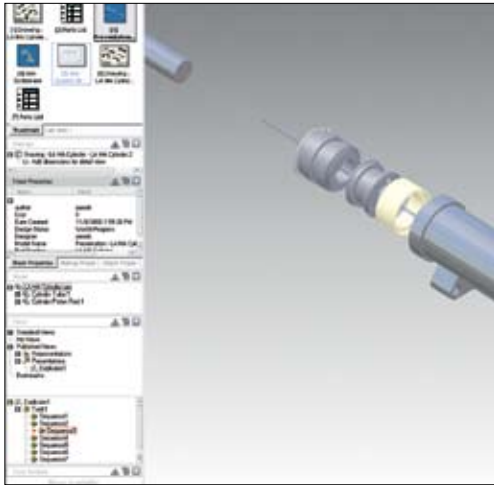
Customizable user interface.



Electronically review, mark up, and revise designs.

### Publish, Share, and View

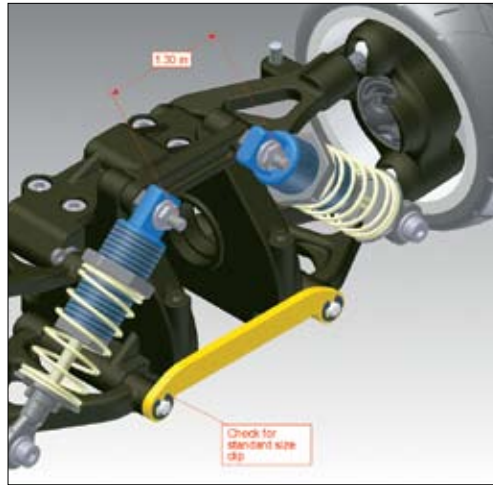
Designers using Autodesk design applications can easily publish and share drawings, models, or both. Using Design Review, the non-CAD user can view and analyze designs exactly as the designer intended, including bill of materials information, assembly instructions, and finite element analysis results. Navigation tools—including pull-apart, sectioning, and animation—provide access to rich design data. Users can search models and drawings for text, drawing, and Inventor object properties in a DWF™ file.



Access animated assembly instructions directly from the shop floor.

### Mark Up and Annotate

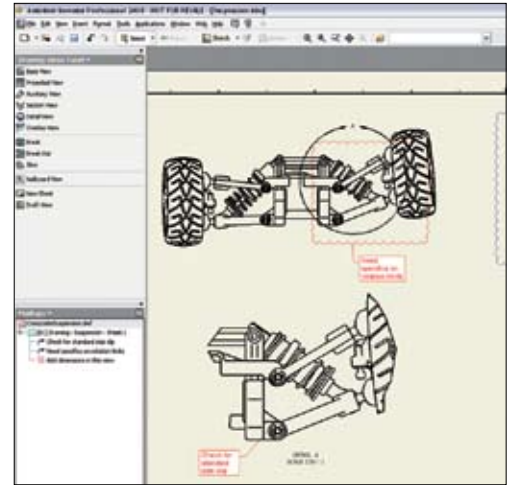
Your design reviews will be clear and concise when using features like redline, freehand, stamps, and custom symbols. Use built-in measurement tools to measure distance, length, and angles in drawings and models. Locate points (based on the active coordinate system) and relative distance. Markups and measurements persist and stay visible within any model view for team members to access during the review phase.



Measurements made on models persist, remaining always available for reference.

### Track and Import Changes

Automatically track project status with complete recording of markups, text annotations, measurements, review status, and additional notes. When designers receive reviewed files they can easily import markups into the original Autodesk design software, which allows them to work through the review set in Inventor or AutoCAD software applications. Markups can also be managed in Autodesk® Productstream.®



Markups are recorded in Markup Set Manager in Inventor and AutoCAD for easy navigation and import.

# We create 3D models in Autodesk Inventor and share them with Autodesk Design Review. Our design review process has never been smoother.

—Daniel Cuchachovich  
Designer  
Mechanical Studio

#### **Learn More and Download**

To learn more visit [www.autodesk.com/designreview-manufacturing](http://www.autodesk.com/designreview-manufacturing).

To get the free\* download of Autodesk Design Review software go to [www.autodesk.com/designreview-download](http://www.autodesk.com/designreview-download).

#### **Autodesk Services and Support**

Accelerate return on investment and optimize productivity with innovative purchase methods, companion products, consulting services, support, and training from Autodesk and Autodesk authorized partners. Designed to get you up to speed and keep you ahead of the competition, these tools help you make the most of your software purchase—no matter what industry you are in. To learn more, visit [www.autodesk.com/servicesandsupport](http://www.autodesk.com/servicesandsupport).

#### **Autodesk Subscription**

Get the benefits of increased productivity, predictable budgeting, and simplified license management with Autodesk® Subscription. You get any new upgrades of your Autodesk software and any incremental product enhancements, if these are released during your subscription term, and you get exclusive license terms available only to subscription members. A range of community resources, including web support direct from Autodesk technical experts, self-paced training, and e-Learning, help extend your skills and make Autodesk Subscription the best way to optimize your investment. To learn more, visit [www.autodesk.com/subscription](http://www.autodesk.com/subscription).



\*Free products are subject to the terms and conditions of the end-user license agreement that accompanies download of the software.

Autodesk is committed to sustainability. This brochure is printed on 25 percent postconsumer waste recycled paper.

Autodesk, AutoCAD, Autodesk Inventor, DWF, DWG, DWG (logo), Freewheel, Inventor, and Productstream are registered trademarks or trademarks of Autodesk, Inc., in the USA and/or other countries. All other brand names, product names, or trademarks belong to their respective holders. Autodesk reserves the right to alter product offerings and specifications at any time without notice, and is not responsible for typographical or graphical errors that may appear in this document. © 2008 Autodesk, Inc. All rights reserved. 00000000000118284